

# Kelly Valves

**MICON DOWNHOLE-TOOLS**

Drilling Equipment Made in Germany

MICON Downhole-Tools GmbH  
Im Nordfeld 14, 29336 Nienhagen, Germany  
[www.micon-drilling.de](http://www.micon-drilling.de)

Copyright © 2023 MICON Downhole-Tools.

No part of this catalogue may be reproduced or transcribed in any form or by any means without the prior written permission of the publisher. While the information presented herein is believed to be accurate, it is provided "as is" without express or implied warranty.

Specifications are current at the time of printing.



## Contents

Company Profile . . . . .	02
Quality Policy . . . . .	04
Kelly Valves . . . . .	06
Technical Data . . . . .	07
Notes . . . . .	08

## Company Profile

The MICON Downhole-Tools GmbH is a worldwide operating supplier of drilling equipment. Decades of experience, high quality standards and focused customer orientation are our unique selling points.

We are a member of the MICON Group, established in Nienhagen/Germany, in 1994. The privately owned company specializes in design, production, inspection and repair of drill string components, drill bits, sophisticated directional drilling systems and additional equipment. Our main focus lies on the technical service for drilling applications in the mining, oil & gas, tunneling and geothermal industries.

An innovative engineering department ensures continuous optimization of all MICON products. Additionally, we are in close contact with a network of several German universities to foster research and development activities.

The MICON Group manufactures drilling equipment in two independent facilities on state-of-the-art CNC milling, turning and welding machines. Latest technology and implementation of German engineering guarantee the highest degree of efficiency and quality.



MICON-Drilling GmbH

Im Nordfeld 14 · 29336 Nienhagen · Germany  
Tel. +49.5144.4936 0 · Fax +49.5144.4936 20  
sales@micon-drilling.de



MICON Mining and Construction Products GmbH & Co. KG

Im Nordfeld 14 · 29336 Nienhagen · Germany  
Tel. +49.5144.4936 0 · Fax +49.5144.4936 20  
manufacturing@micon-drilling.de



MICON Downhole-Tools GmbH

Breite Horst 19 · 29336 Nienhagen · Germany  
Tel. +49.5144.4936 71 · Fax +49.5144.4936 77  
service@micon-drilling.de



Eastman Whipstock GmbH

Im Nordfeld 14 · 29336 Nienhagen · Germany  
Tel. +49.5144.4936 0 · Fax +49.5144.4936 20  
sales@whipstock-instruments.de

Visit our homepage [www.micon-drilling.de](http://www.micon-drilling.de) for additional information and recent updates.



MICON Buildings "Im Nordfeld", Nienhagen/Germany



MICON Buildings "Breite Horst", Nienhagen/Germany

## Quality Policy

MICON stands for high quality products Made in Germany. This high quality standard builds the basis for our success and is an integral part of the company policy. This is reflected by long-term and trustful cooperation with our customers.

In order to achieve our high quality objectives the MICON Group manufacturing companies have implemented quality management systems certified according to international standards. The actual certification status of the Group companies is as follows:

MICON Downhole-Tools GmbH:

- ISO 9001:2015 - 0019058
- API Spec. Q1 (No. Q1-4689)
- API Spec. 7-1 (Monogram License 7-1-1271)

MICON GmbH & Co.KG:

- ISO 9001:2015 - 00007159
- ISO3834-2:2006 (D-ZE-16083-01-00-ISO3834-2019.0013.002)

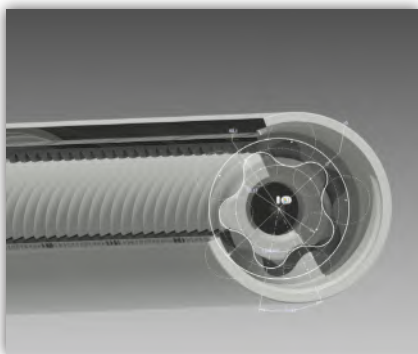
Our global quality objectives lead to specific targets, which are defined by the top management in cooperation with the quality manager. The fulfilment of these specific quality targets is evaluated at least every 12 months in the management review. Our ambition is product reliability and quality that meets the customer requirements as well as your high quality standards. The MICON product cycle includes different process steps. Rigorous acceptance criteria at every process step ensure a consistent high quality level of each product.



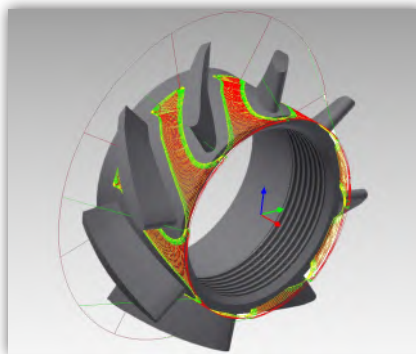
7-1-1271



Q1-4689



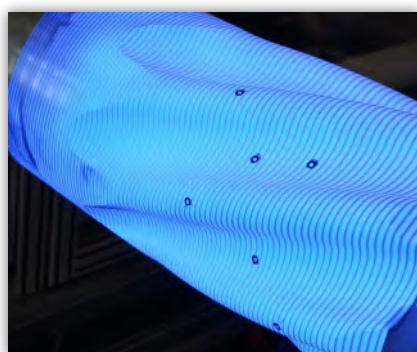
CAD based product development



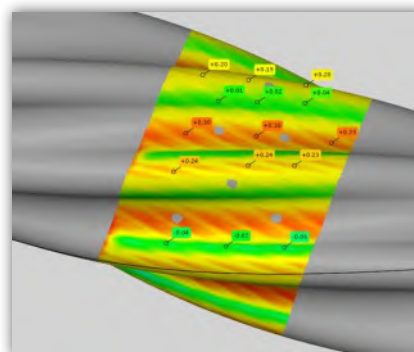
CAD – CAM manufacturing



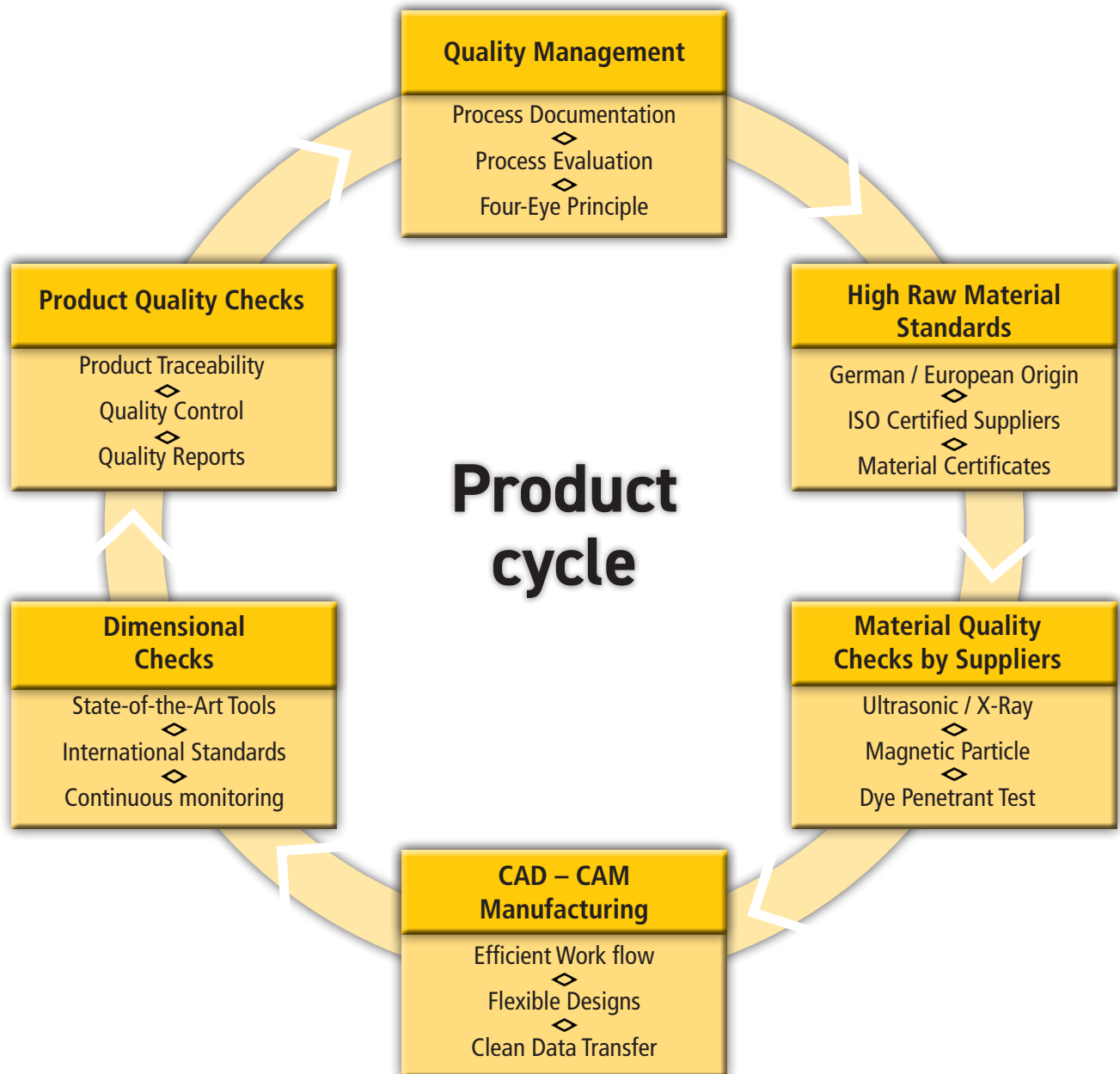
Permanent quality checks



High resolution 3-D scanning



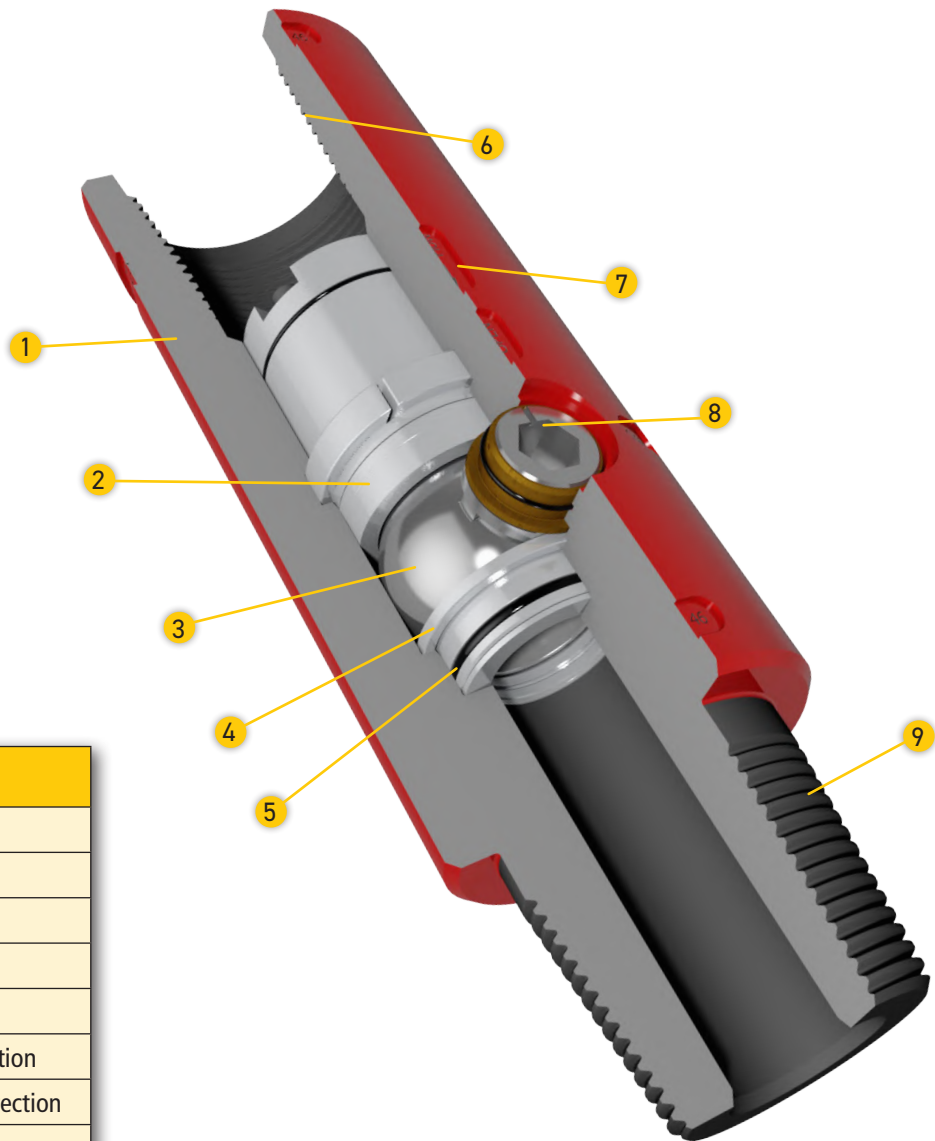
3-D scan evaluation



## Kelly Valves

The kelly valve is installed into the drill string in order to cut off the drill fluid flow in case of any risky event. In combination with a closed ram-type preventer a total sealing of the borehole is possible, even when the drill string is installed. The kelly valve can be closed easily with a hand gear device.

Our kelly valves are designed according to the standards of API and resist pressures up to 15,000 PSI (1,000 bar). We offer all common connecting threads like REG, NC, IF and FH. In addition, most mining industry thread connections are available.



Item	Description
1	Integral Body
2	Upper Seat Ring
3	Ball
4	Stop Ring
5	Lower Seat Ring
6	Upper Thread Connection
7	Marking and Flow Direction
8	Operating Crank
9	Lower Thread Connection

MICON Kelly Valve, Class 1 - 10.000 psi (pN: 690 bar)



## Technical Data

Kelly Valves Standard Sizes*								
OD [inch]	ID [inch]	Length [inch]	Working Pressure [Psi]	Connection		Body	API Class	H <sub>2</sub> S (NACE)
				lower	upper			
4 1/4	1 3/4	15	5,000	NC31 pin	NC31 box	integral	Class 1	Trim
4 3/4	1 3/4	16	10,000	NC38 pin	NC38 box	integral	Class 1	Trim
5 1/4	2	15	10,000	NC38 pin	NC38 box	integral	Class 1	Trim
5 3/8	2 1/4	15	10,000	NC38 pin	NC38 box	integral	Class 1	Trim
6 1/4	2 1/4	15	10,000	NC46 pin	NC46 box	integral	Class 1	Trim
6 5/8	2 13/16	15	10,000	NC50 pin	NC50 box	integral	Class 1	Trim
7 3/4	3 1/4	16 1/2	10,000	6.5/8 REG LH pin	6.5/8 REG LH box	integral	Class 1	Trim
7 3/4	3 1/4	16 1/2	10,000	6.5/8 REG pin	6.5/8 REG box	integral	Class 1	Trim
8	3 1/4	16 1/2	10,000	7.5/8 REG pin	6.5/8 REG box	integral	Class 1	Trim

\*Other sizes, specifications and API Class 2 valves available on request.

## Notes



# MICON DOWNHOLE-TOOLS

MICON Downhole-Tools GmbH

Im Nordfeld 14 · 29336 Nienhagen · Germany  
Tel. +49.5144.4936.71 · Fax +49.5144.4936.60  
service@micon-drilling.de · www.micon-drilling.de

